

LapTop Locker™



**LAPTOP
COMPUTER
THEFT UP
148%***

*Based on a 1999 Computer Security Institute and FBI Computer Crime and Security Survey

- Protects information
- Secures laptop computer
- Mounts virtually anywhere
- Easy installation
- Protects from laptop theft





LTL-1 P15 shown

GENERAL PRODUCT INFORMATION:

The LapTop Locker™ is a theft deterrent locking safe designed to securely store laptop computers and other valuables. Mount the LapTop Locker™ under your desk, on the wall, or in the closet to prevent theft and unwanted access. The LapTop Locker™ provides security in the office, home, dormitory, computer lab, hotel, or any place you use your laptop.

All steel 16 gauge construction and a heavy-duty security lock to protect your valuable laptop, software and data. Two layers of one inch foam prevents jarring and scratching. The LapTop Locker™ ships fully assembled with all mounting hardware, installation template and two keys included. Installs in minutes.

SPECIFICATIONS:

Outside Dimensions: 16"W x 13-13/16"D x 3-1/2"H

Inside Dimensions: 14-5/8"W x 11"D x 2"H

Inside Dimension of opening: 14-5/8"W x 3-15/16"H

Weight: 16 lbs.

ORDERING INFORMATION:

Specify part number, quantity, and paint color on order. All units are packaged one per carton; shipped UPS unless otherwise specified. Orders for more than one LapTop Locker™ will be keyed differently unless otherwise specified. Contact factory for availability.

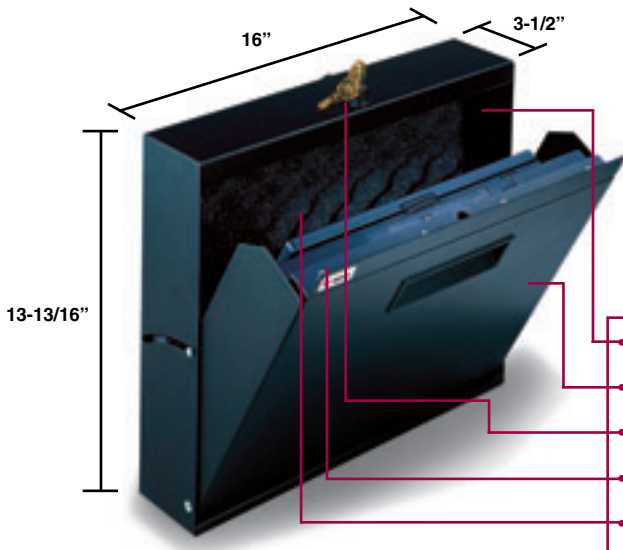
STANDARD PAINT FINISH



TEXTURED BLACK P26

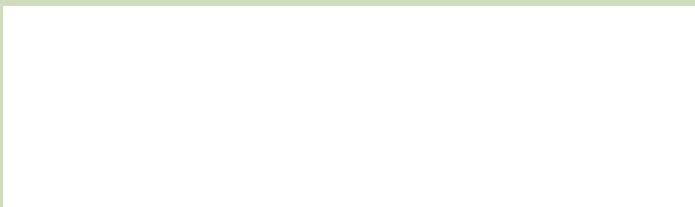
Note: *The listed color may differ slightly. Please contact a Datum sales representative for actual color sample if required. Other paint choices are available, consult factory for more information.*

*All prices shown are F.O.B., Emigsville, PA.
Prices and specifications subject to change without notice.*



- Easy to install...template and hardware supplied
- Strong 16 gauge steel construction
- Heavy-duty security lock with two keys
- Steel lip protects from prying
- Two layers of protective 1-inch foam

DISTRIBUTED BY:



DATUM FILING SYSTEMS, INC.
89 Church Road, P.O. Box 355
Emigsville, PA 17318-0355
FACTORY: 1-800-828-8018
NATIONAL: 1-800-FILING-1
FAX: 1-888-FILING-1 (345-4641)



info@datumfiling.com • www.datumfiling.com

1/02 DFS011 GRC7800